

FORM C - OBJECT

MASSACHUSETTS HISTORICAL COMMISSION
 MASSACHUSETTS ARCHIVES BUILDING
 220 MORRISSEY BOULEVARD
 BOSTON, MASSACHUSETTS 02125

duplicate

Assessor's number USGS Quad Area(s) Form Number
 112-423-1 Billerica 949

Town Chelmsford
 Place (neighborhood or village) South Row
 Address or Location 2 Harvey Rd.

Name Harvey Monument
 Ownership Public Private

Type of Object (check one):
 statue monument
 bust milestone
 group composition marker
 religious shrine
 boundary marker
 other (specify)

Date of Construction 1989

Source monument

Designer/Sculptor Stephen K. Harvey

Materials gray granite with bronze plaque
 granite from Guilmette Bros., Westford

Alterations (with dates) none

Condition excellent

Moved no yes Date

Acreage 10,330 sq. ft.

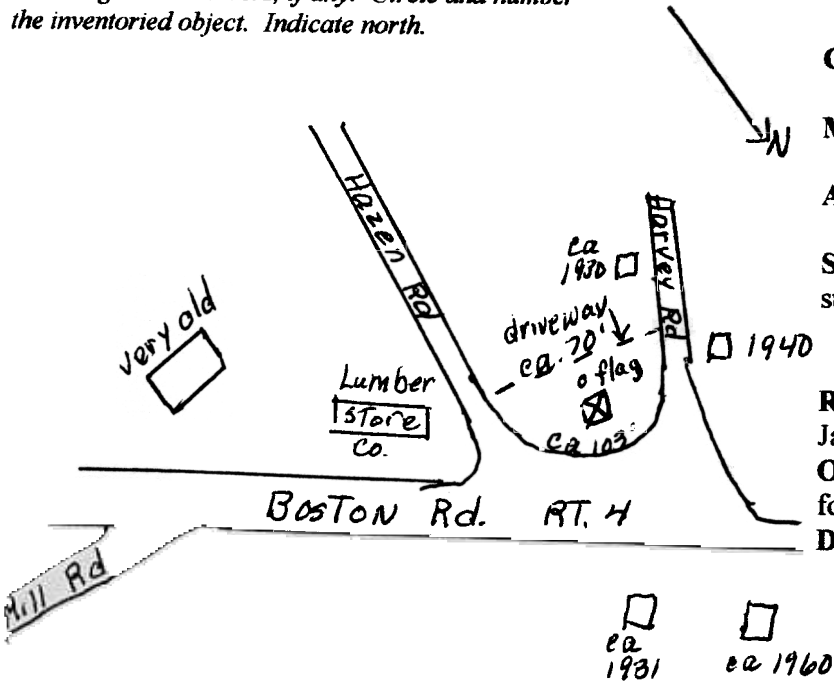
Setting primarily residential, at the intersection of 3 streets. A lumber store stands nearby.

Recorded by Jane B. Drury
 Organization for Chelmsford Historical Commission
 Date (month/year) Nov. 2003



Sketch Map

Draw a map showing the object's location in relation to the nearest cross streets and/or major natural features. Show all buildings between object and nearest intersection or natural feature. Label streets including route numbers, if any. Circle and number the inventoried object. Indicate north.



OBJECT FORM

DESIGN ASSESSMENT see continuation sheet

Describe the design features of the object, and evaluate in terms of other similar types of objects within the community.

The Harvey monument is very similar in design to many other monuments in town, including cemetery monuments. The gray granite monument stands on a cement base. The bronze plaque with the inscription is fastened to a slanted front at the top of the stone. This plaque was used in 1988, when the square in front of present monument was dedicated as the "Harvey Square." The granite for the monument came from Guillmette Bros. in Westford, who also made the monument. The monument was designed by Claude A. Harvey's grandson, Stephen K. Harvey

HISTORICAL NARRATIVE see continuation sheet

Explain the history of the object, and how it relates to the development of the community

In 1988 the "square" was dedicated and named Harvey Square. The following year, 1989, the Harvey family put this monument in place. It honors many years of faithful service rendered by one family to the town of Chelmsford.

The three men honored on the monument were all very active in town affairs. Claude James Harvey, was the father of the other two men. Born in Sawyerville, Quebec, he had lived in Chelmsford for 52 years at the time of his death on December 10, 1977, at the age of 83 years. In 1933 he founded the Harvey Lumber Co. He served on the Planning Board and was a charter member of the Chelmsford Lodge of Elks.

ENTIRE INSCRIPTION (if applicable):

V E Y S Q U
R A
A R
H E
DEDICATED TO THE MEMORY OF
CLAUDE J. HARVEY, PLANNING BOARD
CLAUDE A. HARVEY, SELECTMAN
WILLIAM L. HARVEY, SELECTMAN

FOR THEIR MANY YEARS OF SERVICE TO THE
TOWN OF CHELMSFORD
1989

BIBLIOGRAPHY and/or REFERENCES see continuation sheet

Chelmsford Newsweekly, Aug. 20, 1987, obituary of Claude A. Harvey
Chelmsford Newsweekly, Jan. 15, 1970, obituary of William Harvey
Chelmsford Town Report, 1970, pg. 15, Report of the Selectmen
Chelmsford Newsweekly, December 1977, obituary of Claude James Harvey
Chelmsford Town Clerk's records
Photograph by Jean Sougnez, J & B Photography, Sept. 1, 1988
Robert A. Harvey, Nov. 24, 2003, grandson of Claude A. Harvey, Sr.

Recommended for listing in National Register of Historic Places. If checked, you must attach a completed National Register Criteria Statement form.

INVENTORY FORM CONTINUATION SHEET

MASSACHUSETTS HISTORICAL COMMISSION
MASSACHUSETTS ARCHIVES BUILDING
220 MORRISSEY BOULEVARD
BOSTON, MASSACHUSETTS 02125

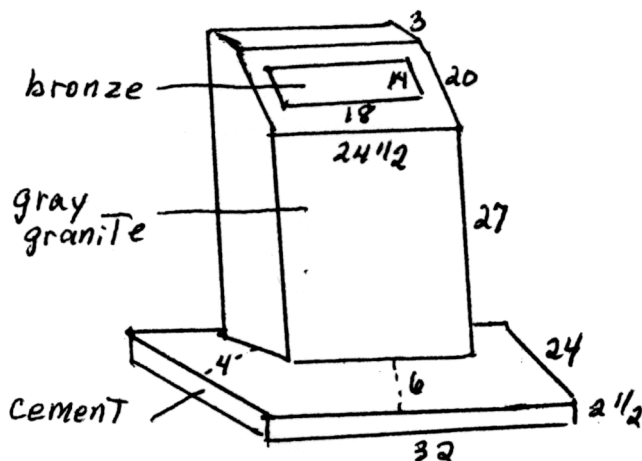
Town
CHELMSFORD

Property Address
2 HARVEY RD.
Area(s) Form No.

	949
--	-----

William A. Harvey, was born in Dracut but moved to Chelmsford with his parents in 1925. He served in the Army during World War II. He became treasurer of the Harvey Lumber Company. He was a Selectman for six years, and at the time of his sudden death on Jan. 11, 1970 he was the Chairman of that board and was running for a third term.

Claude A. Harvey was also born in Dracut but served as a Chelmsford town official for more than 35 years. He was a member of various boards, including the Board of Selectman, serving as its Chairman from 1981 to 1983. He was Chairman of the Housing Authority from 1970 to 1978 and a member of the Assessors' Office for 31 years. He also served as a water commissioner and on the Park Commission. He was the owner of the Harvey Building & Supply Company at the time of his death on August 13, 1987.





'Harvey Monument' 2 Harvey Road

8/7/2004 F Merriam

