

FORM C - OBJECT

MASSACHUSETTS HISTORICAL COMMISSION
 MASSACHUSETTS ARCHIVES BUILDING
 220 MORRISSEY BOULEVARD
 BOSTON, MASSACHUSETTS 02125

Assessor's number USGS Quad Area(s) Form Number

| | | | |
|----------|-----------|--|-----|
| 38/117/1 | Billerica | | 923 |
|----------|-----------|--|-----|

Town Chelmsford

Place (neighborhood or village)
 Chelmsford Veterans Memorial Park

Address or Location between 230 & 250 North Rd.

Name POW/MIA Stone

Ownership Public Private

Type of Object (check one).

- | | |
|--|--|
| <input type="checkbox"/> statue | <input checked="" type="checkbox"/> monument |
| <input type="checkbox"/> bust | <input type="checkbox"/> milestone |
| <input type="checkbox"/> group composition | <input type="checkbox"/> marker |
| <input type="checkbox"/> religious shrine | |
| <input type="checkbox"/> boundary marker | |
| <input type="checkbox"/> other (specify) | |

Date of Construction

Source CVMP records

Designer/Sculptor Adrian Luz

Materials African black granite

Alterations (with dates)

Condition excellent

Moved no yes Date

Acreeage 38.26 acres

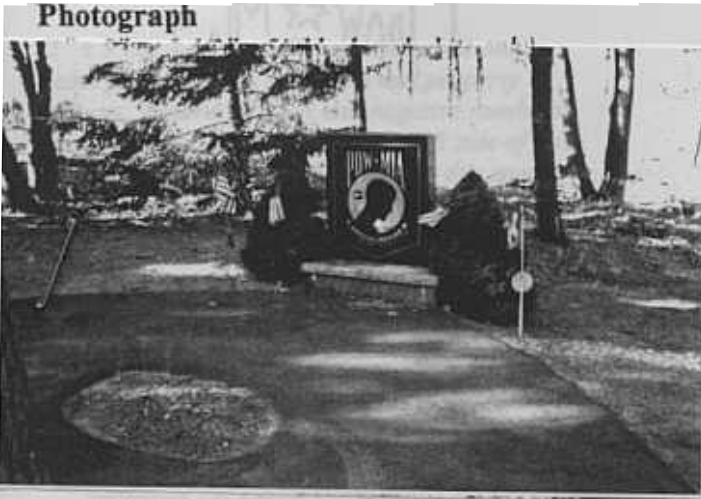
Setting lightly wooded, on very busy North Rd. Former police station on the south side, middle school on the north side beyond a small stream, which flows on the north side of the park. Across North Rd. is a condominium complex.

Recorded by Jane B. Drury

Organization for Chelmsford Historical Commission

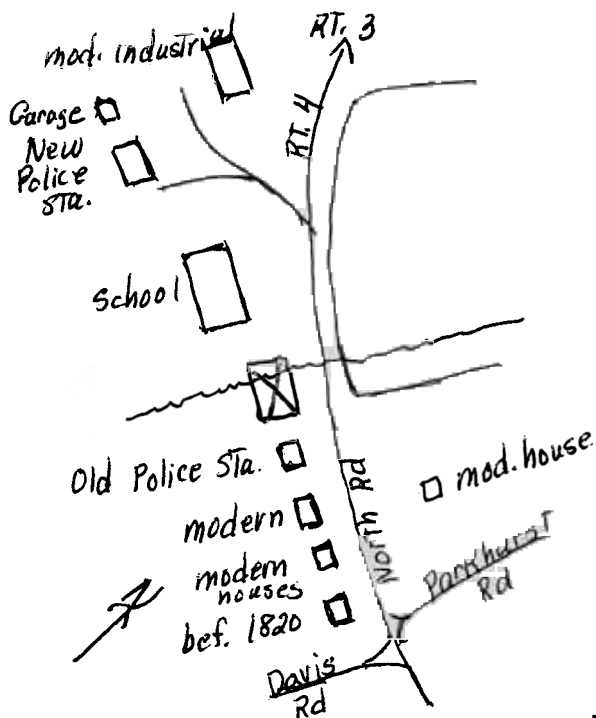
Date (month/year) Nov. 2003

Photograph



Sketch Map

Draw a map showing the object's location in relation to the nearest cross streets and/or major natural features. Show all buildings between object and nearest intersection or natural feature. Label streets including route numbers, if any. Circle and number the inventoried object. Indicate north.



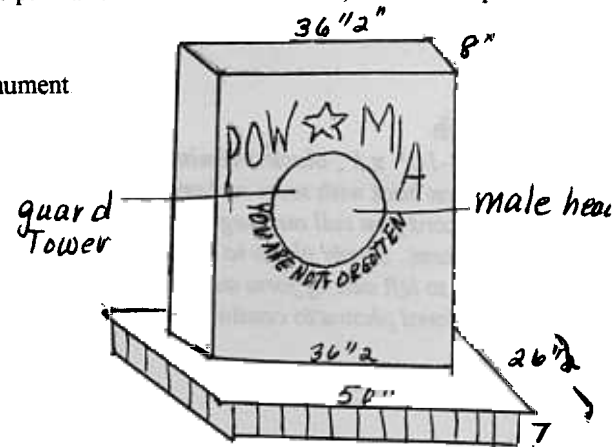
OBJECT FORM

DESIGN ASSESSMENT *see continuation sheet*

Describe the design features of the object, and evaluate in terms of other similar types of objects within the community.

The dramatic design of this white on black monument was purposely chosen. Only one other monument, the "Soldier and Boy," is permitted to be made of black granite. Although it was not dedicated until July 1992, the same day the park as a whole was dedicated, it had been part of the early planning of the park as a whole.

The design has been copied by another Massachusetts town, Erving, for its POW/MIA monument



HISTORICAL NARRATIVE *see continuation sheet*

Explain the history of the object, and how it relates to the development of the community

The POW*MIA Stone was dedicated on Friday, July 3, 1992, at the same ceremony as the first "Memorial Walls" and the park itself. "Honored guests and participants in the ceremonies included WWI veteran Al Dussealt, Korean War veteran Chelmsford Police Chief Ray McKeon, Joyce Mossello (USAF Ret.), Lt. Col. Bill Mark (USAF), and Gen. John Brickley (USMC Ret.). Elected officials participating included William Logan, chairman of the Chelmsford Board of Selectmen, and State Rep. Carol Clevon." Music played during the ceremony by Jack Knox and the Continentals "contributed to the patriotic shivers rippling through the crowd... The popular 'Goodnight Saigon' was sung by Knox and dedicated to all who had been held prisoner or listed as missing in action as the POW/MIA stone was revealed to glistening eyes..... 'twenty years ago I was fortunate to come home in Operation Homecoming,' recalled Vietnam veteran and former POW Don MacPhail. 'I was welcomed to Chelmsford with open arms and I really appreciated that. Unfortunately some of my comrades gave the ultimate sacrifice of their lives to what they thought was right. But when I hear the Star Spangled Banner I know they are here.'"

ENTIRE INSCRIPTION (if applicable).

Front

POW*MIA
YOU ARE NOT FORGOTTEN

Rear

THE MIDDLESEX COMPANIES
THE MIDDLESEX CORPORATION
HIWAY PAVING, INC.
MASSACHUSETTS BITUMINOUS PRODUCTS

BIBLIOGRAPHY and/or REFERENCES *see continuation sheet*

Chelmsford Newsweekly, July 9, 1992
Chelmsford Independent, July 9, 1992
Chelmsford Veterans Memorial Park records, Deborah Kendrick, clerk
Dennis Rindone

Recommended for listing in National Register of Historic Places. *If checked, you must attach a*



'POW / MIA Stone' Veterans Memorial Park

9/4/2004 F Merriam