

**FORM C - OBJECT**

MASSACHUSETTS HISTORICAL COMMISSION  
 MASSACHUSETTS ARCHIVES BUILDING  
 220 MORRISSEY BOULEVARD  
 BOSTON, MASSACHUSETTS 02125

38-117-1 Assessor's number  
 Billerica USGS Quad  
 900 Area(s)  
 932 Form Number

Town Chelmsford

Place (neighborhood or village)  
 Chelmsford Veterans Memorial Park

Address or Location between 230 & 250 North Rd.

Name Operations Enduring/Iraqi Freedom Monument

Ownership  Public  Private

Type of Object (check one):

- statue
- bust
- group composition
- religious shrine
- boundary marker
- other (specify)
- monument
- milestone
- marker

Date of Construction spring 2005

Source Lowell Sun June 7, 2005  
 Veterans Memorial Park records

Designer/Sculptor  
 Chelmsford Memorial Park Committee

Materials  
 pink granite from Adrian Luz Granite Company

Alterations (with dates)  
 none

Condition excellent

Moved  no  yes Date

Acreage 38.26 Acres

Setting lightly wooded, on very busy North Rd.  
 Former police station on the south side, middle school on the north side beyond a small stream, which flows on the north side of the park. Across North Rd. is a condominium complex.

Recorded by Jane B. Drury

organization for Chelmsford Historical Commission

Date (month/year) August 2005

**Photograph**

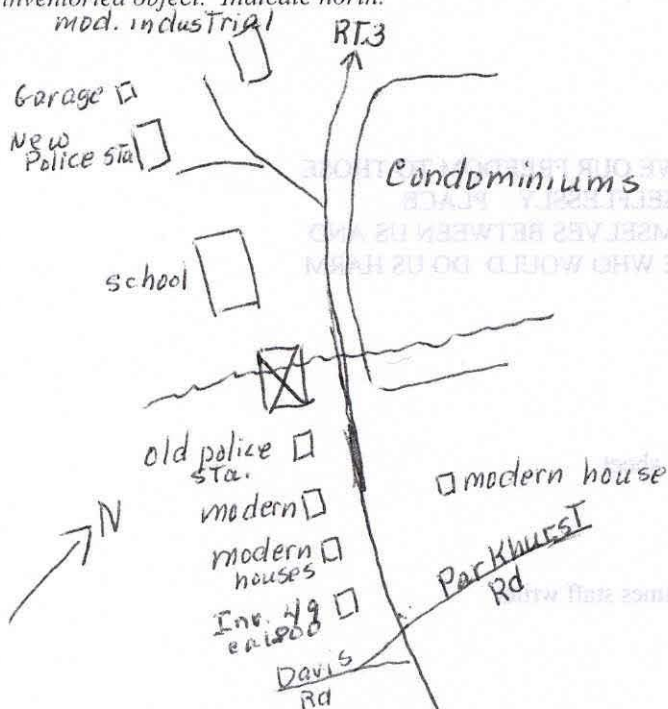
(3" x 3" or 3-1/2" x 5', black and white only)  
 Label photo on back with town and property address. Record film roll and negative numbers here on the form. Staple photo to left side of form. Staple photo to left side of form over this space. Attach additional photos to continuation sheets.

roll negative

--	--

**Sketch Map**

Draw a map showing the object's location in relation to the nearest cross streets and/or major natural features. Show all buildings between object and nearest intersection or natural feature. Label streets including route numbers, if any. Circle and number the inventoried object. Indicate north.



Follow Massachusetts Historical Commission Survey Manual instructions for completing this form.

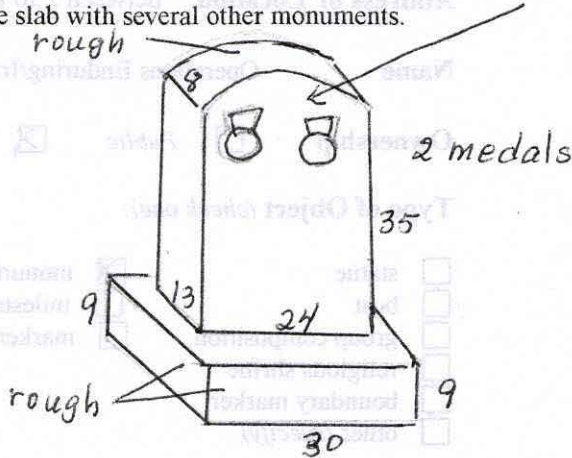
## OBJECT FORM

### DESIGN ASSESSMENT see continuation sheet

Describe the design features of the object, and evaluate in terms of other similar types of objects within the community.

The 3 foot high pink granite monument resembles in shape many cemetery monuments intown and others here in the Veterans Park. Above the inscription on the front are inscribed 2 medals; one on the left is the "War on Terrorism" Medal; on the right is "Expeditionary Medal."

Above both of these and in line with the curve of the stone is written: "OPERATION IRAQI AND ENDURING FREEDOM." The monument sits on a concrete slab with several other monuments.



### HISTORICAL NARRATIVE see continuation sheet

Explain the history of the object, and how it relates to the development of the community

This simple granite monument was dedicated at 2 P.M. on June 12, 2005. It honors all U.S. armed forces fighting in Iraq and Afghanistan. It was dedicated specifically to a Chelmsford man, Marine Lance Corporal Andrew J. Zabierek, who was killed in Iraq on May 21, 2004, when he was struck by a vehicle in Al Anbar province. He was a member of the 2<sup>nd</sup> Battalion, 2<sup>nd</sup> Marine Regiment, 2<sup>nd</sup> Marine Division, attached to the 1<sup>st</sup> Marine Expeditionary Force. The stone was unveiled by his parents, Stephen & Judy Zabierek. The ceremony, attended by about 75 people, was emceed by Lt. Col. Samuel Poulten and included a 21 gun salute by the Chelmsford Police Honor Guard, and Taps was played by Lt. Col. Poulten.

### ENTIRE INSCRIPTION (if applicabile):

Front side:

HONORING THE MEN & WOMEN  
OF OUR ARMED FORCES WHO  
DEPLOYED TO FIGHT THE  
GLOBAL WAR ON TERRORISM

DEDICATED TO THE MEMORY OF  
LANCE CPL. ANDREW J. ZABIEREK USMC.

Rear side:

WE OWE OUR FREEDOM TO THOSE  
SELFELESSLY PLACE  
THEMSELVES BETWEEN US AND  
THOSE WHO WOULD DO US HARM

### BIBLIOGRAPHY and/or REFERENCES see continuation sheet

Veterans Memorial Park records

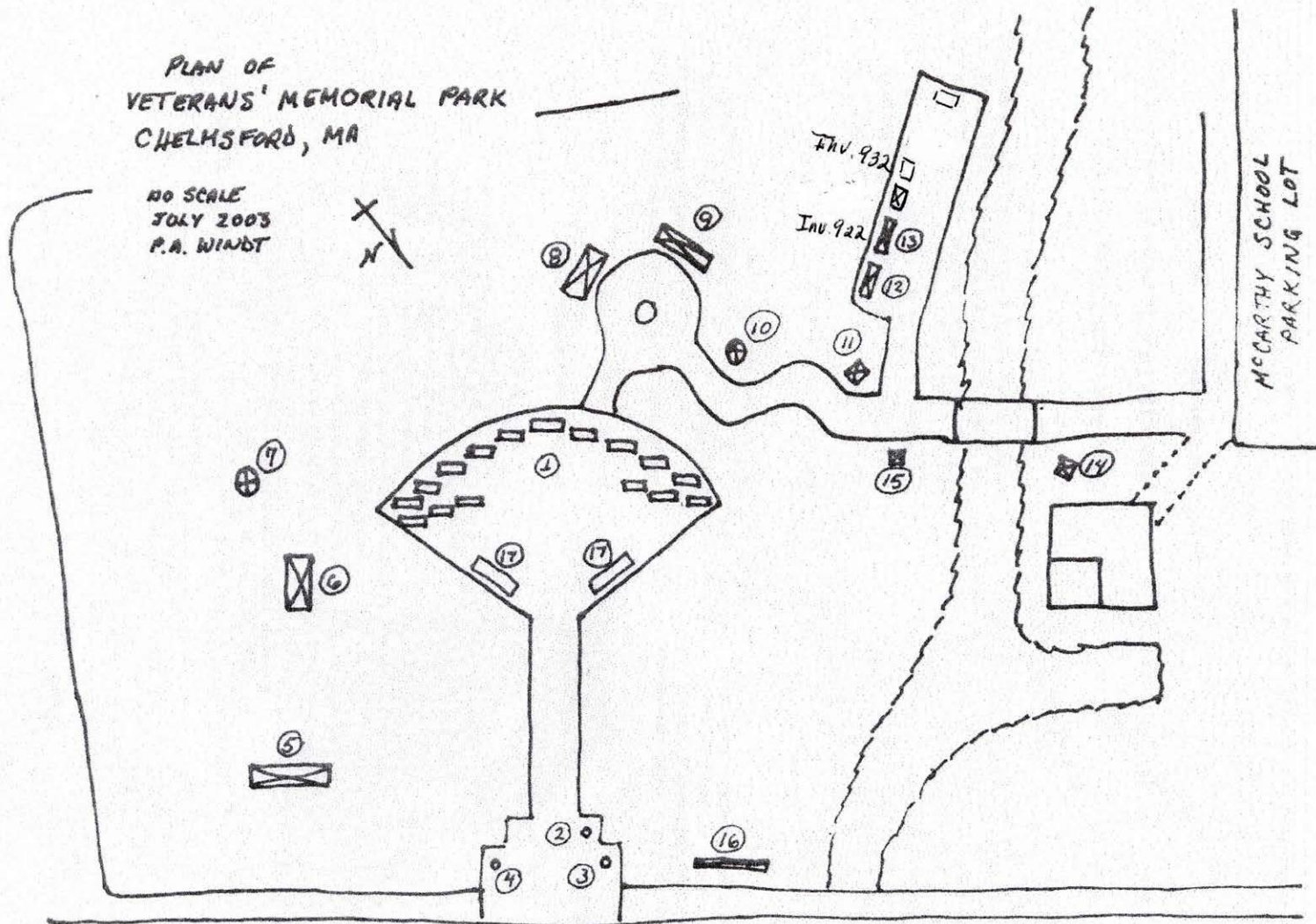
Lowell Sun: June 7, 2005; June 13, 2005

St. Petersburg Times, World & Nation, on line, published June 13, 2004; by Times staff writer  
fallenheroesmemorial.com

Recommended for listing in National Register of Historic Places. If checked, you must attach a completed National Register Criteria Statement form.

PLAN OF  
VETERANS' MEMORIAL PARK  
CHELMSFORD, MA

NO SCALE  
JULY 2003  
P.A. WINDT



NORTH ROAD

force.

But two years ago, West did something that sets him apart from his distinguished relatives. He began helping children in an impoverished, third-world country.

West, 40, joined forces with former Chelsea police officer Gary J.

## SUN SPOTLIGHT

and at-risk children in one of the poorest areas of Cambodia, the Kandal Province.

For West, who has been a Billerica police officer for a decade,

Cambodia, agrees.

"I saw children running around who were dirty, they had lice in their hair, their noses were running and they had no shoes," Fineberg said. "I got a sense of how poor they were."

Please see **SPOTLIGHT/10**

"I don't know what we're going to do," he said. "For a regular football game, we fill the back parking lot and spill onto the streets."

Science classes will also have to be relocated as new classrooms are built, Thomas said.

Please see **CHELMSFORD/10**



Steven Zabierek, left, father of Marine Lance Cpl. Andrew Zabierek, who was killed in Iraq, along with Vietnam veteran Harold Coughlin, Judy Zabierek, Andrew's mother, and Master of Ceremonies Sam Poulten, unveil a stone at Chelmsford's Veterans Memorial Park named in honor of Andrew Zabierek.

SUN PHOTO/ BILL BRIDGEFORD

# Fallen Chelmsford soldier honored

By **PETER WARD**  
Sun Staff

**CHELMSFORD** — It's a simple pink granite monument but it carries deep significance.

The monument unveiled with fanfare yesterday at Veterans Memorial

Park on Route 4 honors all U.S. armed forces fighting in Iraq and Afghanistan, but is dedicated specifically to a local fallen hero.

Andrew Zabierek, a marines lance corporal, was killed in Iraq on May 21,

Please see **MONUMENT/10**

## Memorial dedication in Chelmsford

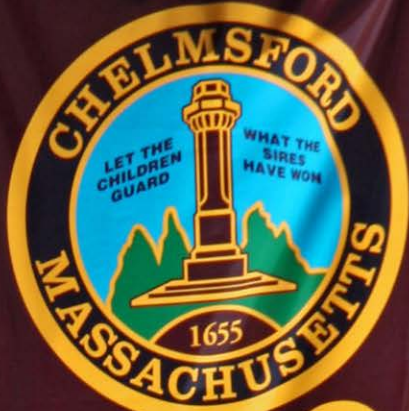
**CHELMSFORD** — The Veterans Memorial Park Committee will dedicate a memorial stone on June 12 recognizing those who served in Operation Enduring Freedom in Afghanistan, Operation Iraqi Freedom, and the global war on terrorism.

Special tribute will be paid to Marine Lance Cpl. Andrew Zabierek of Chelmsford, who died in Iraq last May.

The dedication will take place at 2 p.m. at the Veterans Memorial Park at 230 North Road.

Lowell Sun 6/7/2005

Lowell Sun June 13 2005



**350**  
ANNIVERSARY  
1655 - 2005

In memory of  
Lcpl Andrew J.  
Zabierek

J  
SOUTH

INT.  
495

MAN  
TAU  
NEXT

North Road and Route 495 - Zabierek Memorial Bridge

8/27/2005 F. Merriam

LANCE CORPORAL  
ANDREW J. ZABIERE



MEMORIAL BRIDGE

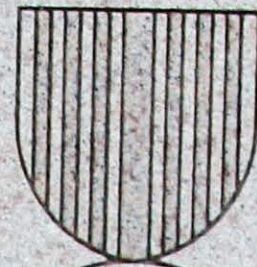


LANCE CORPORAL  
ANDREW J. ZABIEREK  
MEMORIAL BRIDGE

North Road over Route 495 - Zabierek Memorial Bridge

8/27/2005 F. Merriam

OPERATION IRAQI AND ENDURING FREEDOM



HONORING THE MEN & WOMEN  
OF OUR ARMED FORCES WHO  
DEPLOYED TO FIGHT THE  
GLOBAL WAR ON TERRORISM  
DEDICATED TO THE MEMORY OF,  
LANCE CPL. ANDREW J. ZABIEREK USMC



WE OWE OUR FREEDOM TO THOSE  
WHO SELFLESSLY PLACE  
THEMSELVES BETWEEN US AND  
THOSE WHO WOULD DO US HARM

OPERATION IRAQI AND ENDURING FREEDOM



HONORING THE MEN & WOMEN  
OF OUR ARMED FORCES WHO  
DEPLOYED TO FIGHT THE  
GLOBAL WAR ON TERRORISM

DEDICATED TO THE MEMORY OF  
LANCE CPL ANDREW J. ZABIEREK USMC